

RoughinBox™

by **EXCELAIR**

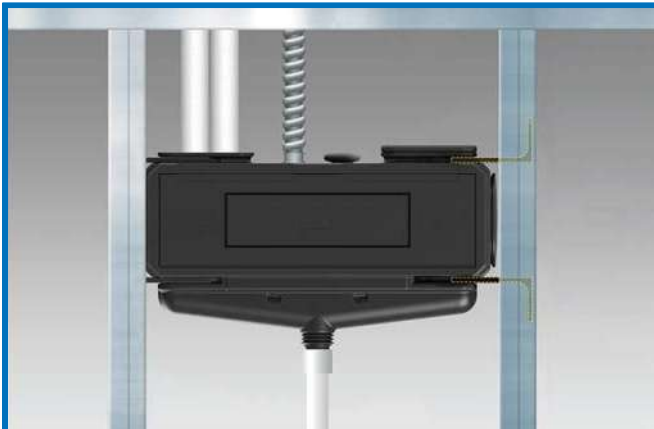
The innovative new way to rough in any minisplit!

Easy to install, easy to access, easy to hook up.

Saves time, saves money, saves hassle.

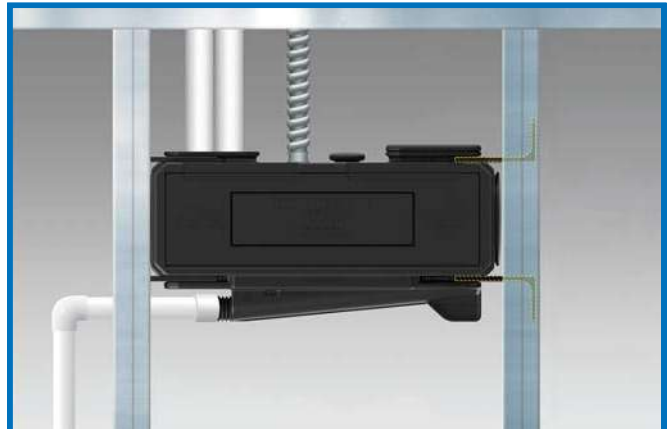
Ideal for wood or metal studs.

2 models available for new construction



**RBX1-CD-NC center drain
for most highwall
installations.**

DIMENSIONS: 14.5" Wx11" Hx3.5" D



**RBX2-SD-NC side drain,
Low profile for restricted
height applications over
doors and windows.**

DIMENSIONS: 14.5" Wx6.25" Hx3.5" D

Never clean or replace damaged linesets.

Both models fully reversible for any application.

**One compact package provides all you need
for a superior installation.**

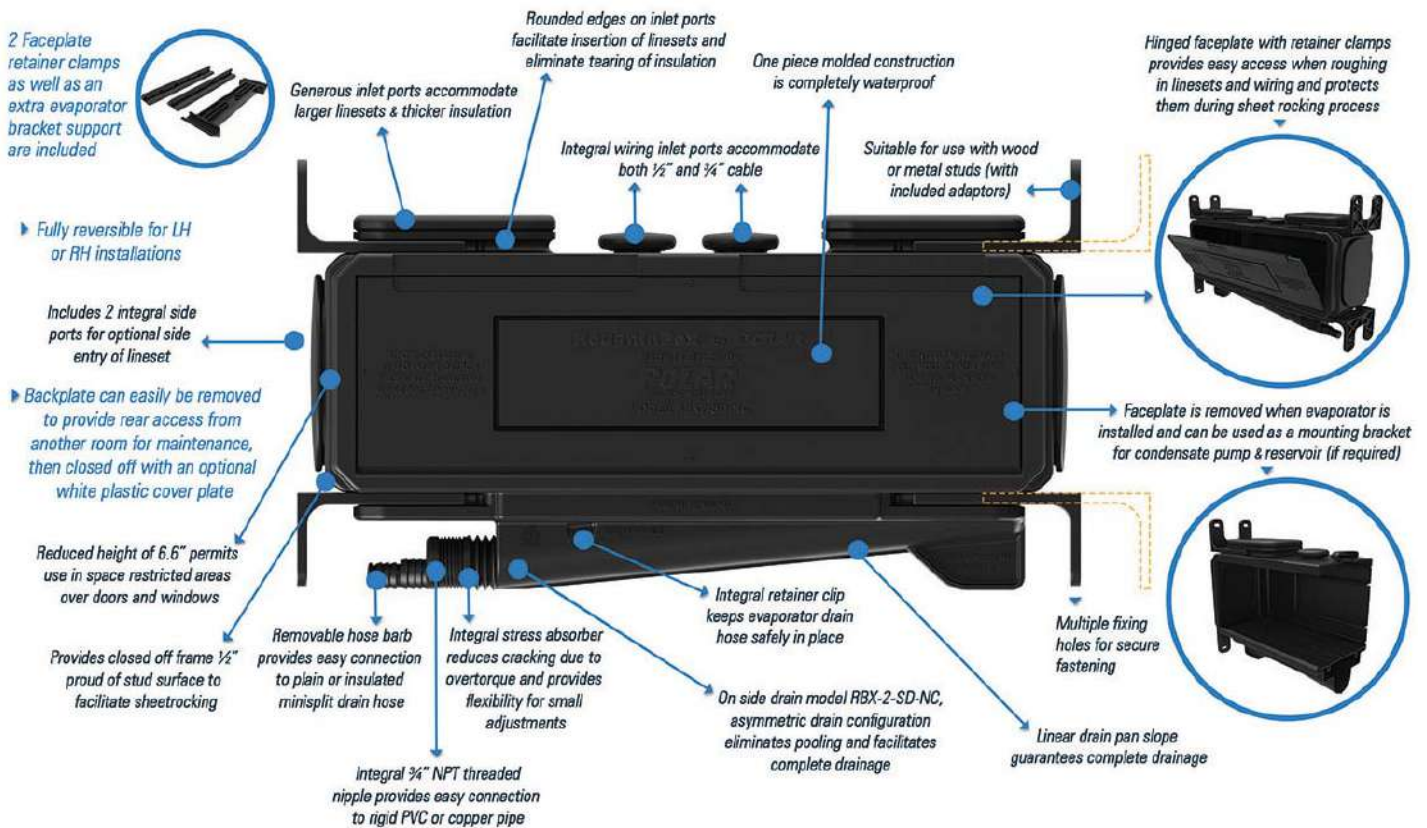
RoughinBox™

Patent pending. by **EXCELAIR**

Loaded with features to make minisplit installation simple, quick and easy.

Accommodates a concealed condensate pump.

Fits Perfectly Between Standard Wood or Metal Studs at 16" Centers



PRECISION FABRICATION GIVES YOU PRECISION RESULTS.

Manufactured in an ISO 9000 certified facility.



P.O. Box 10330, New Brunswick, NJ 08906 USA
 ph: 732-985-8226 • fax: 732-985-2134 • info@marketair.com
 www.marketair.com

